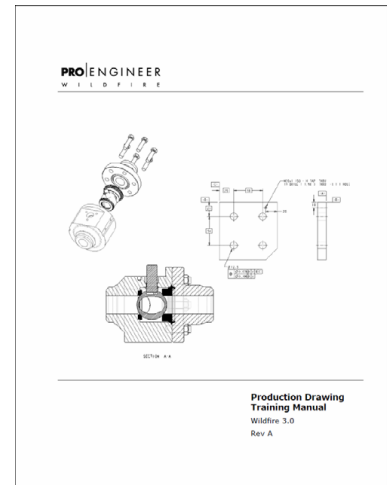


Production Drawings

Description This course provides the student with the skills needed to create a fully dimensioned and annotated part or assembly drawing using Pro/ENGINEER.

Topics The following topics are included in this training manual:

- View Creation.
- Working with Layers in a Drawing.
- Adding Dimensions.
- Additional Annotations, such as Notes, Symbols and Tolerances.
- Assembly Drawings.



Audience This course is intended for users that understand Pro/ENGINEER but have had little exposure to drawing mode.

Format The training material has been developed following the traditional “lecture/exercise” format. Each chapter contains detailed explanations of functionality and Tips, Tricks & Techniques. Multiple hands-on exercises follow each lecture to provide a structured method of reinforcement and retention.

Pages 141

Duration 1 Day

Version Wildfire 4.0, 3.0, 2.0

Pricing \$1,500 per company. Under the Curriculum Ownership Program, your company is granted the right to print and distribute the manual for use internally.